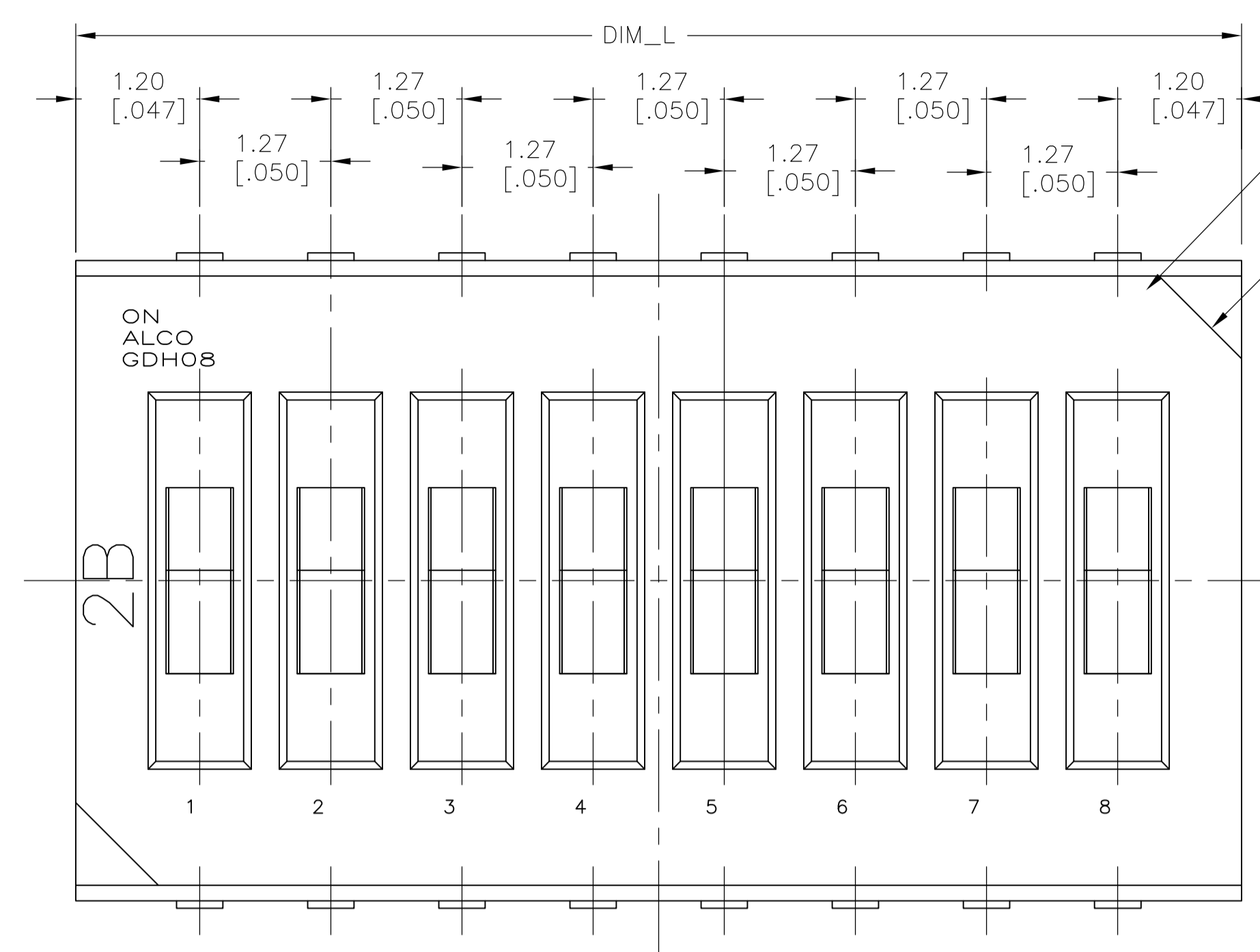


REVISONS		DATE	BY	APPV
B	REVISED PER ECO-12-011893	27JUN12	KH	PO



LOT NO
 INDICATION EXAMPLE
 2 B
 YEAR MONTH
 2012 2

SPECIFICATIONS:

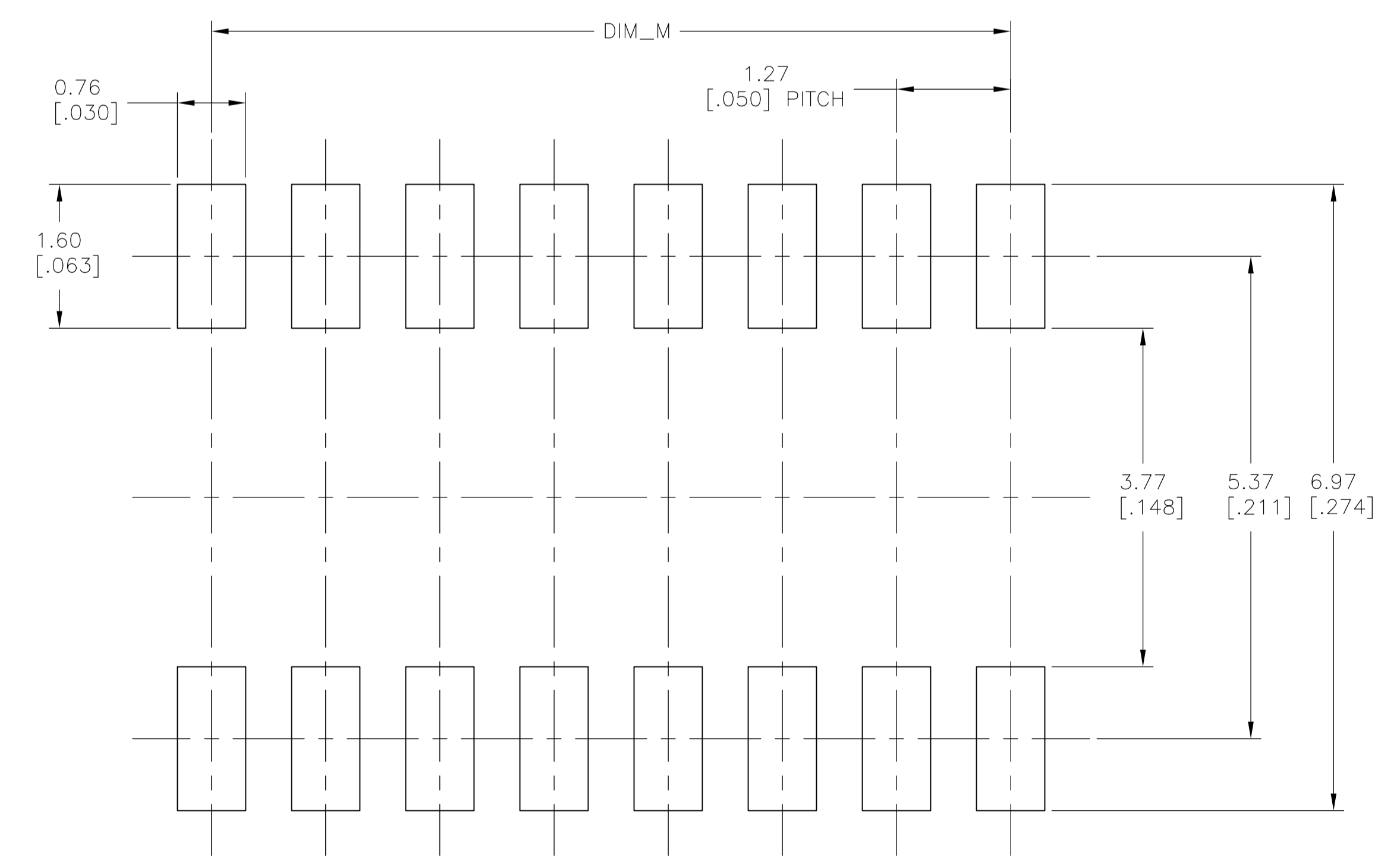
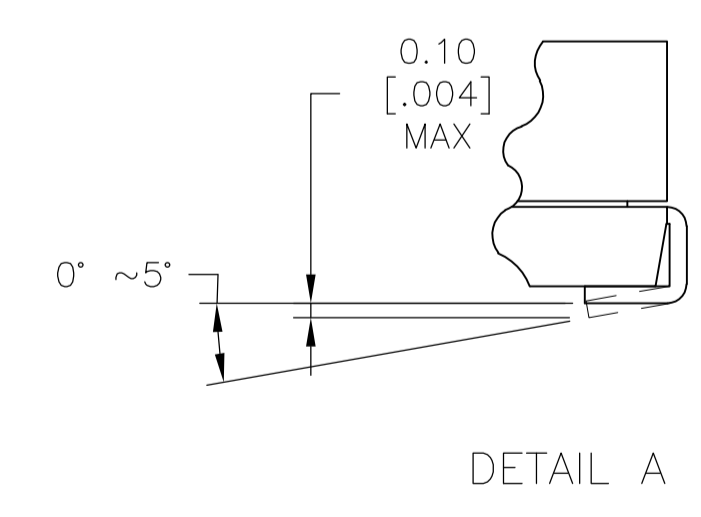
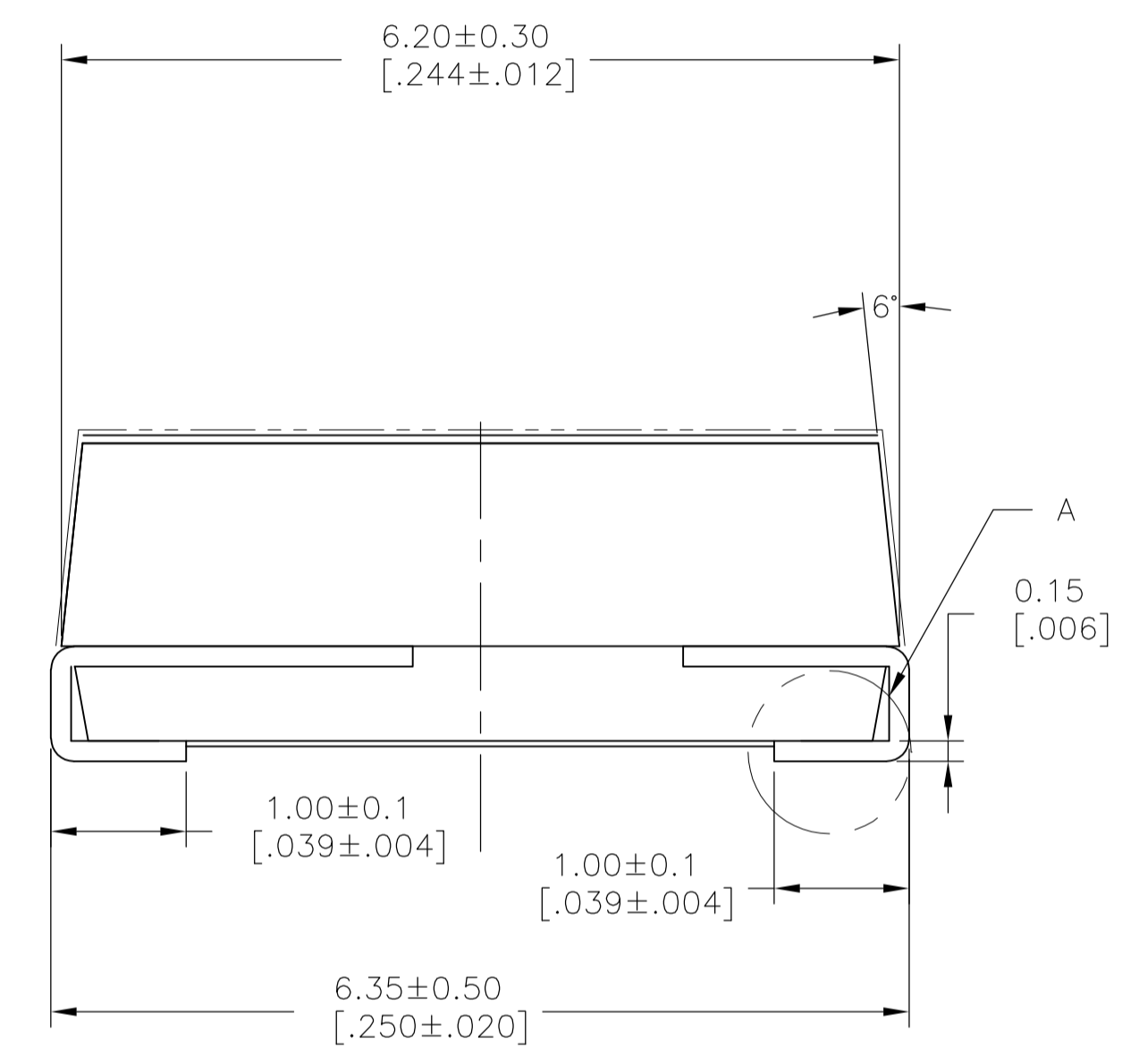
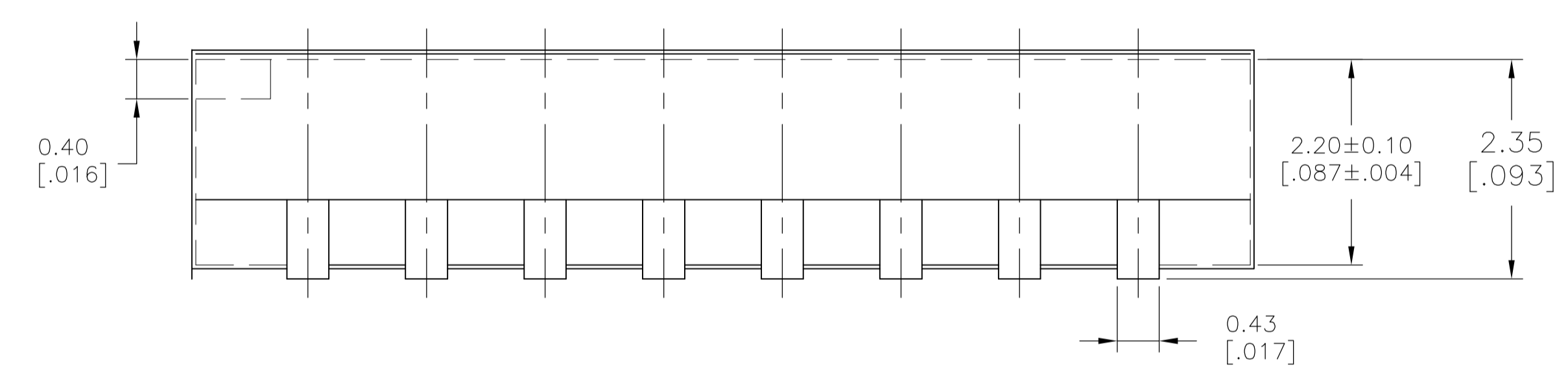
MATERIALS:
 CASE-PPS UL94V-0, BLACK
 COVER-PPS UL94V-0, BLACK
 ACTUATOR-LCP UL94V-0, WHITE
 FIXED CONTACT-COPPER ALLOY, GOLD OVER NICKEL PLATE
 MOVING CONTACT-COPPER ALLOY, GOLD OVER NICKEL PLATE
 TERMINAL-COPPER ALLOY, GOLD OVER NICKEL PLATE
 TAPE SEAL-POLYIMIDE FILM

ELECTRICAL:
 CONTACT RATING: NON SWITCHING: 100MILLIAMPS @50VDC
 SWITCHING: 25MILLIAMPS @24VDC
 INITIAL CONTACT RESISTANCE: 100MILLIOHMS MAX @2VDC. 10mA.
 CONTACT RESISTANCE(AFTER TESTS): 300MILLIOHMS MAX.@2VDC.10mA
 INSULATION RESISTANCE: 100MEG OHMS MIN @100VDC
 DIELECTRIC STRENGTH: 300VAC,1MINUTE
 LIFE EXPECTANCY: 1000 CYCLES MIN.

MECHANICAL:
 ACTUATION FORCE:4.94(490gf) MAX.

ENVIRONMENTAL:
 OPERATING TEMPERATURE: -30°C TO +85°C
 STORAGE TEMPERATURE: -45°C TO +100°C
 SOLDER HEAT RESISTANCE PER 109-201,CONDITION B SWITCH IN OFF POSITION
 SOLDERABILITY PER JIS C 0050 & JIS C 0053

- NOTES:**
- SUPPLIED WITH TAPE SEAL STANDARD
 - SWITCH IS TO HAVE OVERALL HEIGHT AS SHOWN
 - ALL MATERIALS AND FINISHES SHALL COMPLY WITH EU DIRECTIVE 2002/ 95 / EC OF 27JAN2003 (ROHS)
 - TAPE AND REEL PACKAGING PER EIA-481



POS	DIM M	DIM L	ALCO DISCRPTION	TE P/N
10	11.43[.450]	13.83[.544]	GDH10SATR04	1977831-5
8	8.89[.350]	11.29[.444]	GDH08SATR04	1977831-4
6	6.35[.250]	8.75[.344]	GDH06SATR04	1977831-3
4	3.81[.150]	6.21[.244]	GDH04SATR04	1977831-2
2	1.27[.05]	3.67[.144]	GDH02SATR04	1977831-1

THIS DRAWING IS A CONTROLLED DOCUMENT.

DIMENSIONS: mm [INCHES]

TOLERANCES UNLESS OTHERWISE SPECIFIED:

0. PLC	±	-
1. PLC	±	-
2. PLC	±	0.40[.016]
3. PLC	±	-
4. PLC	±	-
ANGLES	±	-

MATERIAL: - FINISH: -

APPROVED: KIRAN HOLLAL (30MAR2012), OTT.PETER (30MAR2012)

NAME: SERIES GDH TAPE AND REEL GDH02SATR04~GDH10SATR04

SIZE: A1 CAGE CODE: 00779 DRAWING NO: 1977831

SCALE: 20:1 SHEET: 1 OF 1